

Lead (Pb) Free Product – RoHS Compliant

L430/565-04A Bi-Color LED for medical analysis

Bi-color LED of L430/565-04A consists of GaN (430nm) and GaP (565nm) LEDs mounted on a lead frame with a clear epoxy lens.

On forward bias, it emits a band of visible light which peaks 430nm and 565nm at cathode common.

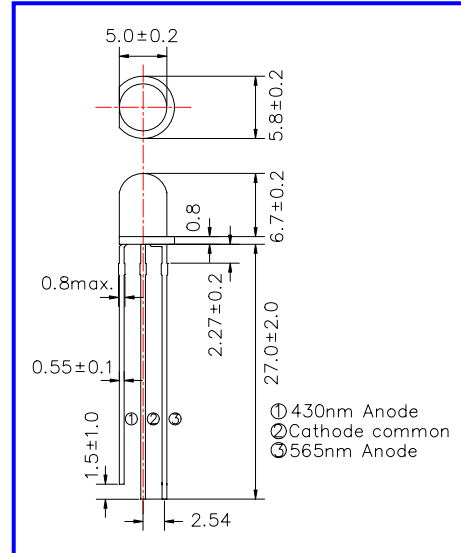
Features

- 1) High Reliability
- 2) High Power
- 3) Cathode Common

Specifications

- 1) Product Name: Bi-color LED
- 2) Type No.: L430/565-04A
- 3) Chip
 - (1) Chip Material: GaN and GaP
 - (2) Peak Wavelength: 430nm and 565nm typ.
- 4) Package
 - (1) Type: 5mm clear molding
 - (2) Resin Material: Epoxy Resin
 - (3) LeadFrame: Soldered

Outer dimension (Unit : mm)



Absolute Maximum Ratings

Item	Symbol	Maximum Rated Value		Unit	Ambient Temperature
		430nm	565nm		
Power Dissipation	PD	250	130	mW	Ta=25
Forward Current	IF	50	50	mA	Ta=25
Reverse Voltage	IR	10		V	Ta=25
Operating Temperature	TOPR	-30 ~ +85			
Storage Temperature	TSTG	-30 ~ +100			
Soldering Temperature	TSOL	260			

‡Soldering condition : Soldering condition must be completed within 3 seconds at 260

Erectro-Optical Charactaristics [Ta=25]

Item	Symbol	Condition	Minimum		Typical		Maximum		Unit
			430nm	565nm	430nm	565nm	430nm	565nm	
Forward Voltage	VF	IF=20mA			4.0	2.2	5.0	2.4	V
Reverse Current	IR	VR=5V						10	u A
Reverse Current	IR	VR=10V					100		n A
Total Radiated Power	PO	IF=20mA	0.20	0.10	0.40	0.20	0.50	0.30	mW
Peak Wavelength	P	IF=20mA	418	562	425	565	432	568	nm
Half Width		IF=20mA			50	35			nm
Viewing Half Angle		IF=20mA			± 20				deg.

‡Total Radiated Power is measured by Photodyne #500.