

Lead (Pb) Free Product RoHS compliant

SMC570

High Bright Green color SMD LED on ceramics

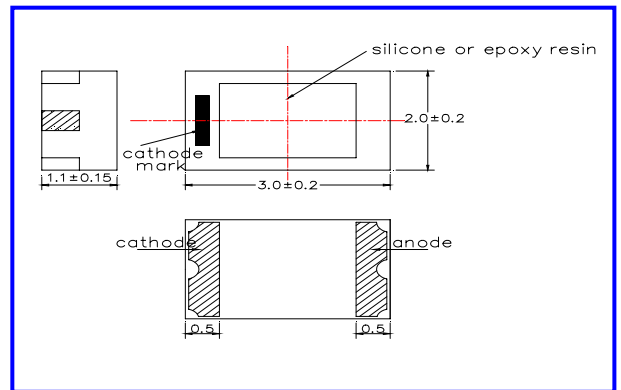
SMC570 consists of a InGaAlP LED mounted on the ceramics package and is sealed with silicone or epoxy resin.

It emits a spectral band of radiation at 570nm.

Outer dimension (Unit : mm)

Specifications

- 1) Product Name SMD type green color LED
- 2) Type No. SMC570
- 3) Chip
 - (1) Chip Material InGaAlP/GaAs
 - (2) Peak Wavelength 570nm typ.
- 4) Package
 - (1) Package Ceramics
 - (2) Lens Silicone or Epoxy resin



Absolute Maximum Rating

Item	Symbol	Maximum Rated Value	Unit	Ambient Temperature
Power Dissipation	P _D	60	mW	T _a =25
Forward Current	I _F	30	mA	T _a =25
Reverse Voltage	V _R	5	V	T _a =25
Operating Temperature	T _{OPR}	-20 ~ +80		
Storage Temperature	T _{STG}	-30 ~ +80		
Soldering Temperature	T _{SOL}	240		

‡Soldering condition : Solder condition must be completed within 3 seconds at 240

Electro-Optical Characteristics [T_a=25]

Item	Symbol	Condition	Minimum	Typical	Maximum	Unit
Forward Voltage	V _F	I _F =20mA		1.95	2.20	V
Reverse Current	I _R	V _R =5V			10	uA
Total Radiated Power	P _O	I _F =20mA		0.2		mW
Brightness	I _V	I _F =20mA		30		mcd
Radiant Intensity	I _E	I _F =20mA		0.06		mW/sr
Peak Wavelength	λ _P	I _F =20mA	560	570	580	nm
Half Width		I _F =20mA		15		nm
Viewing Half Angle		I _F =20mA		± 55		deg.

‡Total Radiated Power is measured by Photodyne #500

‡Radiant Intensity is measured by Tektronix J-6512.

‡Brightness is measured by Tektronix J-16.