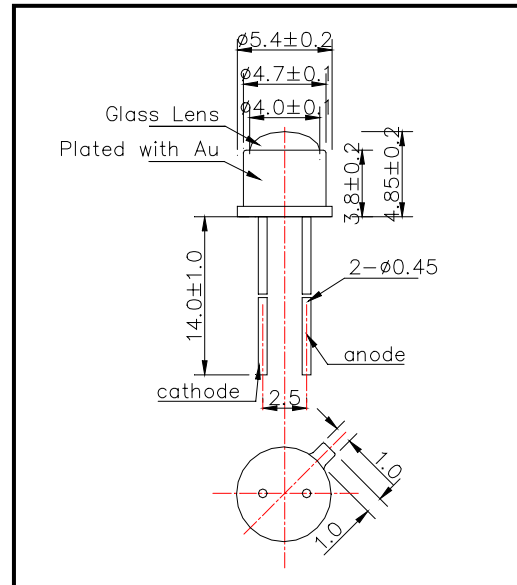


L375-30K42L Higher beam type UVLED

L375-30K42L is an InGaN LED mounted on TO-46 stem and designed for narrow viewing angle +/-3° typ. with hermetical glass ball lens can. On forward bias it emits a spectral band of radiation, which peaks at 375nm.

◆Outer dimension (Unit: mm)



◆Features

- 1) Narrow viewing angle
- 2) High Radiant Intensity
- 3) High Reliability

◆Specifications

- | | |
|---------------------|-----------------------|
| 1) Product Name | LED Lamp |
| 2) Type No. | L375-30K42L |
| 3) Chip Spec. | |
| (1) Material | InGaN |
| (2) Peak Wavelength | 375nm |
| 4) Package | |
| (1) Type | TO-46 stem |
| (2) Lens | Unspherical Ball Lens |
| (3) Cap | Gold plated |

◆Absolute Maximum Ratings

Item	Symbol	Maximum Rated Value	Unit	Ambient Temperature
Power Dissipation	P _D	130	mW	T _a =25°C
Forward Current	I _F	30	mA	T _a =25°C
Pulse Forward Current	I _{FP}	50	mA	T _a =25°C
Reverse Voltage	V _R	5	V	T _a =25°C
Operating Temperature	T _{OPR}	-30 ~ +85	°C	
Storage Temperature	T _{STG}	-30 ~ +100	°C	
Soldering Temperature	T _{SOL}	260	°C	

‡Pulse Forward Current condition: Duty=1% and Pulse Width=10us.

‡Soldering condition: Soldering condition must be completed within 3 seconds at 260°C

◆Electro-Optical Characteristics

Item	Symbol	Condition	Minimum	Typical	Maximum	Unit
Forward Voltage	V _F	I _F =20mA		3.6	4.0	V
Reverse Current	I _R	V _R =5V			10	uA
Total Radiated Power	P _O	I _F =20mA		0.5		mW
Radiant Intensity	I _E	I _F =50mA		20		mW/sr
Brightness	I _V	I _F =20mA		-		mcd
Peak Wavelength	λ _P	I _F =20mA	370	375	380	nm
Half Width	Δλ	I _F =20mA		10		nm
Viewing Half Angle	θ _{1/2}	I _F =20mA		±3		°

‡Total Radiated Power is measured by Ando Optical Multi Meter AQ2140 & AQ2741.

‡Ando Optical Multi Meter AQ2140 is setted at 400nm range.

‡Radiant Intensity is measured by Epitex's designed and AQ2140 & AQ2741