

PRELIMINARY

L385-30M32 stem type LED with ball lens

L385-30M32 is an InGaN LED mounted on TO-18 stem with ball glass lens, being designed for sensing devices.

On forward bias it emits a spectral band of radiation, which peaks at 385nm.

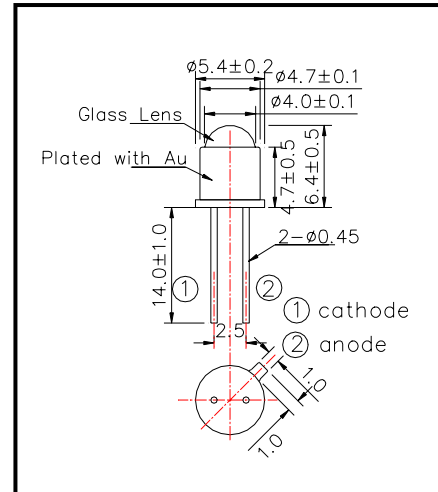
◆ Outer dimension (Unit:mm)

◆ Features

- 1) High Power
- 2) High Reliability

◆ Specifications

- | | |
|---------------------|-----------------|
| 1) Product Name | LED Lamp |
| 2) Type No. | L385-30M32 |
| 3) Chip Spec. | |
| (1) Material | InGaN |
| (2) Peak Wavelength | 385nm |
| 4) Package | |
| (1) Type | TO-18 stem |
| (2) Lens | Ball Glass Lens |



◆ Absolute Maximum Ratings

Item	Symbol	Maximum Rated Value	Unit	Ambient Temperature
Power Dissipation	P _D	110	mW	T _a =25°C
Forward Current	I _F	30	mA	T _a =25°C
Pulse Forward Current	I _{FP}	50	mA	T _a =25°C
Reverse Voltage	V _R	3	V	T _a =25°C
Operating Temperature	T _{OPR}	-30 ~ +85	°C	
Storage Temperature	T _{STG}	-30 ~ +100	°C	
Soldering Temperature	T _{SOL}	250	°C	

‡Pulse Forward Current condition: Duty=1% and Pulse Width=10us.

‡Soldering condition: Soldering condition must be completed within 3 seconds at 250°C

◆ Electro-Optical Characteristics

Item	Symbol	Condition	Minimum	Typical	Maximum	Unit
Forward Voltage	V _F	I _F =20mA		3.6	4.3	V
Reverse Current	I _R	V _R =3V			10	uA
Total Radiated Power	P _O	I _F =20mA	0.7	1.5		mW
Radiant Intensity	I _E	I _F =20mA	10	20		mW/sr
Peak Wavelength	λ _P	I _F =20mA	375	385	395	nm
Half Width	Δλ	I _F =20mA		17		nm
Viewing Half Angle	θ _{1/2}	I _F =20mA		±15		deg.

‡Radiated Power is measured by Ando Optical Multi Meter AQ2730 & AQ2741

‡Radiant Intensity is measured by Tektronix J-6512.