

L610-30M32 stem type LED with glass ball lens

L610-30M32 is GaP LED mounted on TO-18 stem with glass ball lens, being designed for sensing devices.

On forward bias, it emits a spectral band of radiation, which peaks at 610nm.

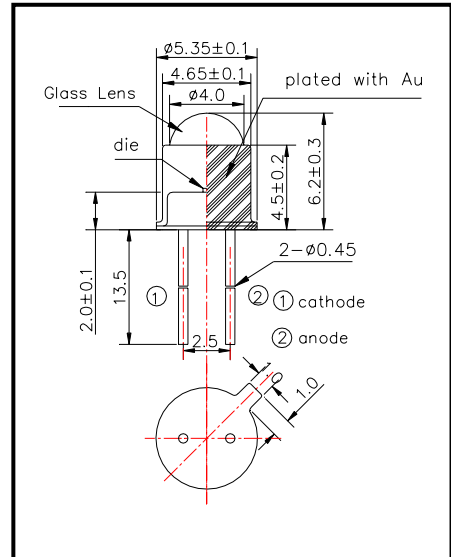
◆ Outer dimension(Unit:mm)

◆ Features

- 1)High Power
- 2)High Reliability

◆ Specifications

- 1)Product Name LED Lamp
- 2)Type No. L610-30M32
- 3)Chip Spec.
 - (1)Material GaP
 - (2)Peak Wavelength 610nm
- 4)Package
 - (1)type TO-18 stem
 - (2)Lens Glass Ball Lens



◆ Absolute Maximum Ratings

Item	Symbol	Maximum Rated Value	Unit	Ambient Temperature
Power Dissipation	PD	110	mW	Ta=25°C
Forward Current	IF	50	mA	Ta=25°C
Pulse Forward Current	IFP	100	mA	Ta=25°C
Reverse Voltage	VR	5	V	Ta=25°C
Operating Temperature	TOPR	-30 ~ +85	°C	
Storage Temperature	TSTG	-30 ~ +100	°C	
Soldering Temperature	TSOL	260	°C	

‡Pulse Forward Current condition : Duty=1% and Pulse Width=10us.

‡Soldering condition : Soldering condition must be completed within 3 seconds at 260°C

◆ Electro-Optical Characteristics

Item	Symbol	Condition	Minimum	Typical	Maximum	Unit
Forward Voltage	VF	IF=20mA		2.0	2.30	V
Reverse Current	IR	VR=5V			10	u A
Total Radiated Power	PO	IF=20mA	0.7	1.5		mW
Radiant Intensity	IE	IF=20mA		6		mW/sr
Brightness	Iv	IF=20mA		3000		mcd
Peak Wavelength	λ_P	IF=20mA	600	610	620	nm
Half Width	$\Delta\lambda$	IF=20mA		15		nm
Viewing Half Angle	$\Theta_{1/2}$	IF=20mA		± 15		deg.

‡Total Radiated Power is measured by Photodyne #500

‡Radiant Intensity is measured by Tektronix J-6512.