

L890-40M32 stem type LED

L890-40M32 is AlGaAs LED mounted on TO-18 stem with spherical glass ball lens, being designed for high beam uses.

On forward bias it emits a spectral band of radiation, which peaks at 880nm.

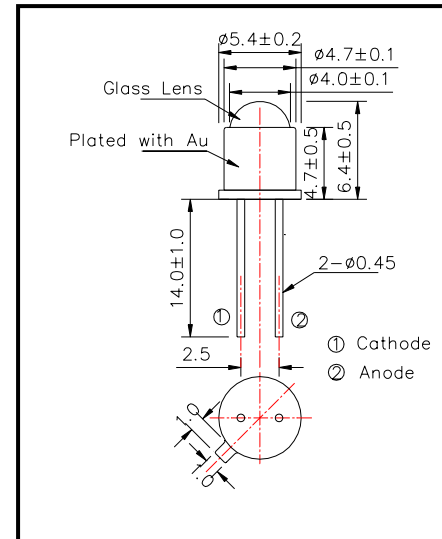
◆Features

- 1) High radiated intensity
- 2) High Reliability

◆Specifications

- 1) Product Name Infrared LED Lamp
- 2) Type No. L890-40M32
- 3) Chip Spec.
 - (1) Material AlGaAs
 - (2) Peak Wavelength 880nm
- 4) Package
 - (1) Type TO-18 stem
 - (2) Lens Spherical glass lens
 - (3) Cap Gold plated

◆Outer dimension (Unit:mm)



◆Absolute Maximum Ratings

Item	Symbol	Maximum Rated Value	Unit	Ambient Temperature
Power Dissipation	P _D	150	mW	T _a =25°C
Forward Current	I _F	100	mA	T _a =25°C
Pulse Forward Current	I _{FP}	500	mA	T _a =25°C
Reverse Voltage	V _R	5	V	T _a =25°C
Operating Temperature	T _{OPR}	-30 ~ +80	°C	
Storage Temperature	T _{STG}	-30 ~ +100	°C	
Soldering Temperature	T _{SOL}	260	°C	

‡Pulse Forward Current condition: Duty=1% and Pulse Width=10us.

‡Soldering condition: Soldering condition must be completed within 3 seconds at 260°C

◆Electro-Optical Characteristics

Item	Symbol	Condition	Minimum	Typical	Maximum	Unit
Forward Voltage	V _F	I _F =50mA		1.45	1.70	V
Reverse Current	I _R	V _R =5V			10	uA
Total Radiated Power	P _O	I _F =50mA	7	11.5		mW
Radiant Intensity	I _E	I _F =50mA		40		mW/sr
Peak Wavelength	λ _P	I _F =50mA	865	880	895	nm
Half Width	Δλ	I _F =50mA		65		nm
Viewing Half Angle	θ _{1/2}	I _F =50mA		±10		deg.
Rise Time	t _r	I _F =50mA		800		ns
Fall Time	t _f	I _F =50mA		400		ns

‡Total Radiated Power is measured by Photodyne #500

‡Radiant Intensity is measured by Tektronix J-6512.